

檳城韓江中學
Han Chiang High School, Penang.
2023 年入學考試
Entrance Test, Year 2023
科學
Science

日期：2023 年 10 月 1 日

Date: 1 Oct 2023

時間：10:20am – 11:00am

Time: 10:20am – 11:00am

考生須知 INSTRUCTIONS TO CANDIDATES

1. 本試卷共有選擇題 **30** 題，所有題目須作答在“O”答案紙上。請用 2B 鉛筆將答案相應的字母所在的小方格完全塗黑。

This paper consists **30** Multiple Choice Questions. Select the best answer and blacken the square corresponding to the same letter of the alphabet as the answer you have selected. Mark on the answer sheet ‘O’ provided. Answer ALL questions with a 2B pencil.

2. 作答前，須在考卷封面填寫考生姓名、考生編號和小學學校名稱。

Before answering the question, fill in your name, index number and primary school name on the cover page.

3. 考生不得把考卷帶出考場。

Candidates are not allowed to remove the question paper from the exam hall.

4. 本科試卷共印有 **6** 面。

This paper consists of **6** printed pages.

未經正式宣布 不得翻閱內頁

Do Not Turn Over This Page Until You Are Told To Do So

考生姓名：（中文）

Name of Candidates: (Chi) _____

考生姓名：（英文）

Name of Candidates: (Eng) _____

考生編號：

Exam ID: _____

小學學校名稱：

Primary School Name: _____

1. 水瓶由塑料所制成。下列哪个选项可用来形容塑料？

Water bottles are often made of plastic. How can a plastic be described?

- A. 有延展性 It is malleable B. 重 It is heavy
C. 熔点高 It has high melting point D. 防水 It is waterproof

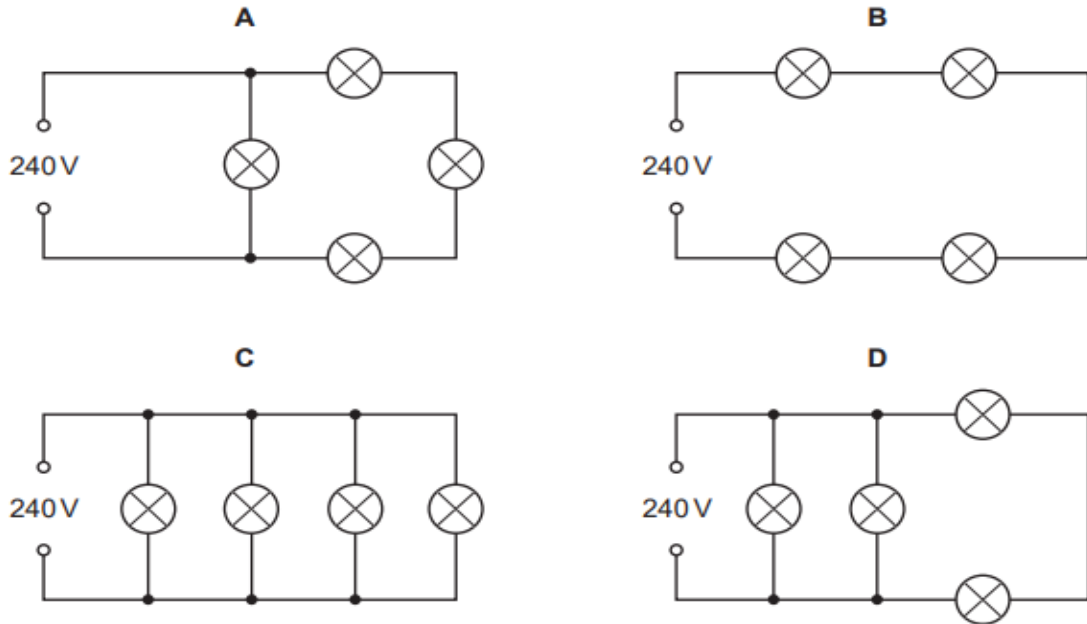
2. 水蒸气转换成水滴的过程是_____。

The change of state from water vapour into water droplets is known as _____.

- A. 蒸发 Evaporation B. 沸腾 Boiling
C. 凝聚 Condensation D. 升华 Sublimation

3. 以下4种电路，哪种电路的灯泡最亮？

Which one of the following circuits has the brightest bulbs?



4. 下列哪个动物属于无脊椎动物？

Which of the following animals is classified as invertebrate?

- A. 海豚 dolphin B. 蝙蝠 bat C. 虾 prawn D. 海龟 turtle

5. 在呼吸过程中，葡萄糖与_____反应，释放能量。

During respiration, glucose reacts with_____to produce energy.

- A. 氮气 nitrogen B. 氯气 chlorine
C. 一氧化碳 carbon monoxide D. 氧气 oxygen

6. 下列哪一种微生物可以分解动植物尸体？

Which of the following microorganisms decomposes the dead organisms?

- A. 细菌 bacteria B. 病毒 virus C. 藻类 algae D. 原生动物 protozoa

7. 新冠肺炎是哪种微生物造成的？

Which of the following microorganisms causes COVID-19 disease?

- A. 细菌 bacteria B. 病毒 virus C. 霉菌 fungus D. 酵母菌 yeast

8. 以下哪一种微生物是用在烘培方面？

Which of the microorganisms below is used for baking?

- A. 酵母菌 yeast B. 变形虫 Amoeba C. 细菌 bacteria D. 病毒 virus

9. 以下哪一个温度最适合微生物生存?

Which of the temperatures below is optimum for microorganisms to survive?

- A. 20°C B. 30°C C. 40°C D. 50°C

10. 在人体内, 系统 P 负责运输营养物质和氧气。下列哪项是 P?

P system transports nutrients and oxygen in the human body. Which of the following is P?

- A. 骨骼系统 Skeletal system B. 呼吸系统 Respiratory system
C. 消化系统 Digestive system D. 血液循环系统 Blood circulatory system

11. 图 1 显示一把刀。哪一个方法能有效地防止刀生锈?

Diagram 1 shows a knife, Which of the following methods can effectively prevent the knife in the diagram from rusting?



图 1 **Diagram 1**

- A. 保持刀的清洁 Keep the knife clean
B. 在刀上涂上一层油 Apply a coat of oil to the knife
C. 用卡片紧紧包裹刀 Wrap the knife tightly with a card
D. 把刀放在阴暗的地方 Keep the knife in a dark place

12. 卵子的储存和释放是在哪里? Where are egg cells stored and released from?

- A. 子宫 The uterus B. 睾丸 The testes
C. 卵巢 The ovaries D. 输卵管 The oviduct

13. 月经周期平均持续多少天? On average, how many days does the menstrual cycle last?

- A. 7 B. 14 C. 21 D. 28

14. 红血球的功能是什么? What is the function of the red blood cell?

- A. 将信息传递到全身 Carry messages all over the body
B. 控制开关的大小. To control the size of the openings
C. 运输氧气带到身体周围 To carry oxygen around the body
D. 控制细胞的所有活动 To control all the activities of cell

15. 下列哪些生物只能用显微镜来观察?

Which of the following living organism can only be seen with a microscope?

- A. 微生物 Microorganisms B. 分解者 Decomposers
C. 霉菌 Mold D. 土壤 Soil

16. 以下哪项不是微生物的生长条件?

Which of the following is **NOT** the condition needed for the growth of microorganisms?

- A. Water 水分 B. Air 空气 C. Nutrient 养分 D. 阳光 Sunlight

17. 一个质量为 3 公斤的物体, 它的重量是多少?

What is the weight on Earth of a 3-kg object?

- A. 3 N B. 30 N C. 300 N D. 0.3 N

18. 下列哪项正确地叙述昆虫的特征? Which characteristic describes an insect **correctly**?

- A. 昆虫的身体可分成两个部分 An insect has a body divided into two segments.
- B. 昆虫的身体可分成很多部分 An insect has a body divided into many segments.
- C. 昆虫有三对足 An insect has three pairs of legs.
- D. 昆虫有两对复眼 An insect has two pairs of eyes.

19. 哪一个动物能一次产下很多卵, 而且卵的外层还有黏液?

Which animal can lay many eggs at once, and the eggs have mucus on their outer layers?

A.



B.



C.



D.



20. 以下哪项不是力的效应?

Which of the following is **not** the effect of force?

- A. 改变形状 change shape
- B. 停止移动物体 stop an object
- C. 增加物体速率 increase the speed of an object
- D. 保持恒速 maintain constant speed

21. 图 2 显示是一种工具, 它涉及什么能的转换?

Diagram 2 shows a tool. What transformations energy does the tool in the diagram below involve?



图 2 **Diagram 2**

- A. 光能 → 电能 → 热能 light energy → electrical energy → heat energy
- B. 太阳能 → 电能 → 光能 solar energy → electrical energy → light energy
- C. 太阳能 → 化学能 → 光能 solar energy → chemical energy → light energy
- D. 化学能 → 光能 → 热能 chemical energy → light energy → heat energy

22. X 物质在 40°C 的物理状态为液态。预测 X 的冰点。

Substance X is a liquid at 40°C . Predict the freezing point of X.

- A. 160°C B. 60°C C. 240°C D. 30°C

23. 水的沸点是多少? What is the boiling point of water?

- A. 25°C B. 50°C C. 75°C D. 100°C

24. 以下哪一个温度的微生物不活跃? At which temperature a microorganism is inactive?

- A. 37°C B. 0°C C. 100°C D. 89°C

25. 图 3 显示科学室的情形。学生遵守什么操纵性技能?

Diagram 3 shows the situation in the science lab. Which manipulated skills did the student obey in the picture?



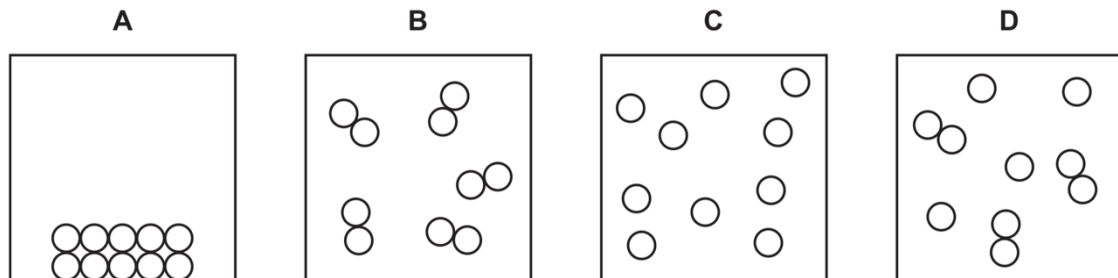
图 3 Diagram 3

- A. 正确地排队进入科学室 correctly line up to enter the science lab
B. 正确地应用科学用具 correct application of scientific apparatus
C. 正确及安全地收藏科学用具 correctly and safely store scientific apparatus
D. 在科学室里嬉戏及不用心听课 playing in the science lab and not listening to lesson

26. 会哺乳幼儿的脊椎动物称为 ____。Animals that suckle their young one are called ____.

- A. 爬行类 Reptiles B. 鸟类 Birds
C. 两栖类 Amphibians D. 哺乳类 Mammals

27. 以下哪个图代表固体? Which diagram represents a solid?



28. 一辆玩具车用 10 秒移动 100 厘米。它的速度是多少？

A toy car moves 100 cm in 10 seconds. What is its speed?

- A. 1 km/s B. 100 km/s C. 100cm/s D. 10 cm/s

29. 图 4 显示发生新型冠状病毒肺炎时的情况。以下情况说明了什么？

Diagram 4 shows the situation when the new coronavirus pneumonia occurs. What does the following statement indicate?



图 4 Diagram 4

- A. 病毒的体积非常细小 viruses are very small
B. 新型冠状病毒肺炎是由病毒引起的 COVID-19 is caused by a virus
C. 口罩有阻隔空气中灰尘的功能 masks have the function of blocking dust in the air
D. 口罩能减低病毒侵入人体的可能性
masks can reduce the possibility of viruses entering the human body

30. 以下哪项是不可再生能源？ Which of the following energy resources is non-renewable?

- A. 天然气 Natural gas B. 太阳能 solar energy
C. 风能 Wind D. 水力发电能 hydroelectric

~~~结束 End~~~